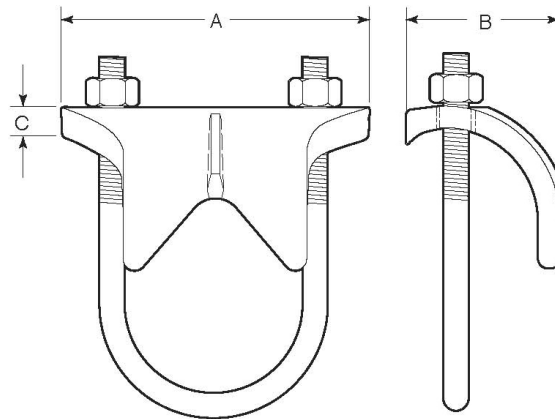
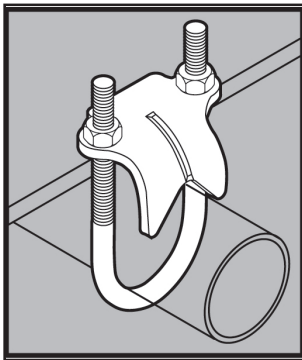


STAINLESS STEEL RIGHT ANGLE CLAMPS



APPLICATION

- Designed to fit rigid conduit/pipe as well as PVC coated conduit
- Used to firmly fix pipe to the flange of a structural member at a 90° angle without drilling holes
- Manufactured in stainless steel to help prevent corrosion
- Can be installed using ordinary hand tools and require little maintenance or repair
- Provided in a bright, polished finish that does not require touch up or painting



PRODUCT DETAILS

Material:

- Body: CF8M (316 SS)
- U-Bolt, Hex Nuts: 316 SS

Standards:

ASTM A351, ASTM A193 B8M Class I, ASTM F593

Country of Origin:

Saddle 100% Made in USA;
hex nuts and raw material for U-Bolt may or may not be of U.S. origin

Part Number	Pipe/Rigid Conduit Size	Weight/100 (lbs.)	-----Dimension (in.)-----		
			A	B	C
1050	½ in.	34	1.94	1.63	0.19
1075	¾ in.	35	2.06	1.63	0.19
1100	1 in.	43	2.56	1.63	0.19
1125	1-¼ in.	51	2.81	1.63	0.19
1150	1-½ in.	61	3.31	1.63	0.19
1200	2 in.	96	3.81	1.63	0.19
1250	2-½ in.	125	4.56	1.75	0.25
1300	3 in.	146	5.19	1.75	0.25
1350	3-½ in.	166	5.69	1.75	0.25
1400	4 in.	177	6.19	1.75	0.25
1600	6 in.	351	8.50	2.25	0.45

